



15% Discount
Promotion Good
Through
6/30/20

CoronaCare

Protect Your Staff & Patients From the Coronavirus

Standard Face Shield
Elastic Head Band
and Comfort Cushion

Deluxe Face Shield
w/ Flip-Up Visor

Premium Face Shield
Flip-Up Visor and Comfort Cushion



- Offers protection against the virus penetrating your eyes, nose and mouth
- For staff and patient safety/protection

- Crystal clear masks give people more comfort and protection
- Adjustable head band
- Flip up/down shield (deluxe & premium)

Pricing (ea.) and Terms Promotional pricing only good through 5/31/20

Volume	#CC-SFS Standard Face Shield	MAC 15% Promotion	#CC-DFS Deluxe Face Shield	MAC 15% Promotion	#CC-PFS Premium Face Shield	MAC 15% Promotion
2 (min.)	\$12.00	\$10.20	\$14.00	\$11.20	\$18.00	\$15.30
24	\$6.00	\$5.10	\$8.00	\$6.80	\$10.00	\$8.50
96	\$5.50	\$4.67	\$7.50	\$6.58	\$9.50	\$8.01
1000	\$5.00	\$4.35	\$7.25	\$5.84	\$9.00	\$7.65

\$100 minimum order required, or a 10% service fee will apply. We accept Visa, MasterCard, American Express, and check. Extended payment terms are net 30 days with approved credit. Freight is FOB Troy MI. Orders over \$500 are shipped prepaid. Most orders can ship within 2-5 business days subject to inventory availability.

Satisfaction Guaranteed: If for any reason within seven days of receiving the order, you are not completely satisfied with this product, please contact us for a return authorization #. Refund will be issued upon return receipt, less a 15% restocking fee.

For more information and ordering
Contact us: 800-992-5233 • hq@tmshea.com



1950 Austin Drive • Troy, Michigan 48083
800-992-5233 • 248-589-3272 • Fax 248-589-1535
Email: hq@tmshea.com • www.tmshea.com



CoronaCare™ Staff/Patient Safety Shields



Reduces airborne transmission of body fluids that may contain the Coronavirus



Countertop Sneeze Guards



Countertop Sneeze Guards
w/Cut Outs

Protect
Your Staff
& Patients
From the
Coronavirus

- Ideal for checkout counters, customer service, pharmacies, cafeterias, and office work spaces
- Promotes social distancing with physical separation
- A variety of designs and sizes
- Easy and fast installation
- Mounting applications include non-slip rubber pads or 2-sided adhesive
- Durable acrylic plastic



Hanging Sneeze Guards

\$100 minimum order required, or a 10% service fee will apply. We accept Visa, MasterCard, American Express, and check. Extended payment terms are net 30 days with approved credit. Freight is FOB Troy MI. Orders over \$500 are shipped prepaid. Most orders can ship within 2-5 business days subject to inventory availability.

Satisfaction Guaranteed: If for any reason within seven days of receiving the order, you are not completely satisfied with this product, please contact us for a return authorization #. Refund will be issued upon return receipt, less a 15% restocking fee.



For more information and ordering
Contact us: 800-992-5233 • hq@tmshea.com



Patents Pending. Intellectual Property of T.M. Shea Products. All rights reserved. ©2020

Warning: The material on these pages are proprietary and shall remain exclusive intellectual property of T.M. Shea Products, Inc. Under no circumstances are any P.O.P. display producers, suppliers, designers, brokers, or employees of such a trade company permitted to utilize this material in any way, shape, or form without the expressed written consent of T.M. Shea Products. Violators will be prosecuted to the fullest extent of the law.

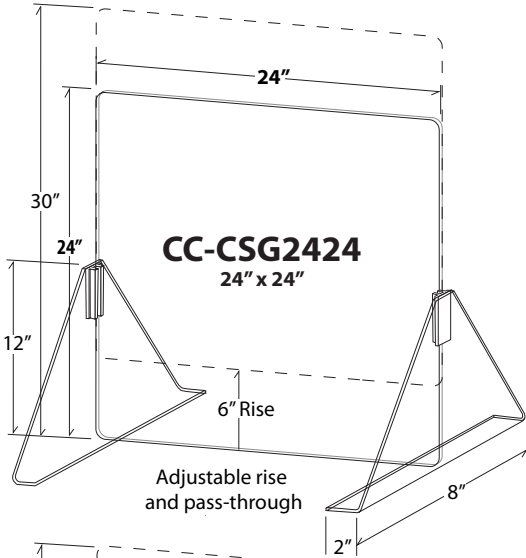


Made in Michigan



Countertop Sneeze Guards

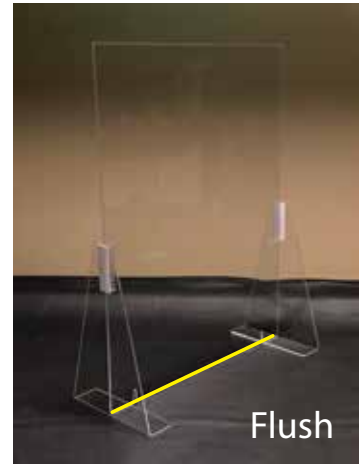
Durable 1/8" acrylic plastic



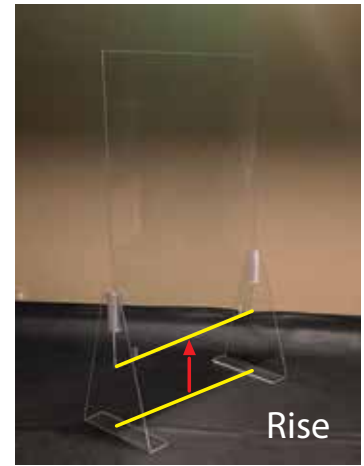
Volume	Cost/Kit (ea.)	MAC 15% Promotion
2 (min.)	\$65.00	\$55.25
10	\$60.00	\$51.00
50	\$55.00	\$46.75
100	\$50.00	\$42.50
500	Call	Call

Promotional pricing only good through 6/30/20

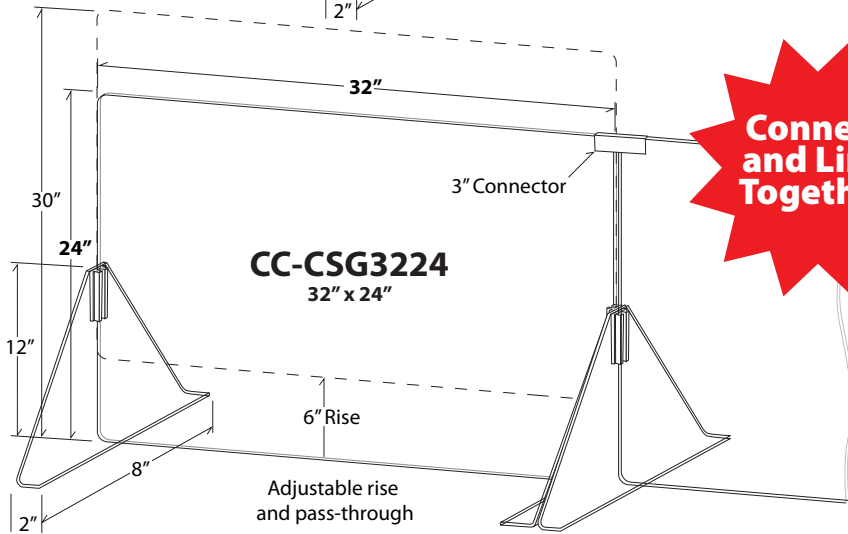
Kit: 1 panel, 2 legs w/3" grippers, rubber pads or 2-sided adhesive (both included), 1-3" top joiner clip, connector. Packed 2 kits/box



Flush



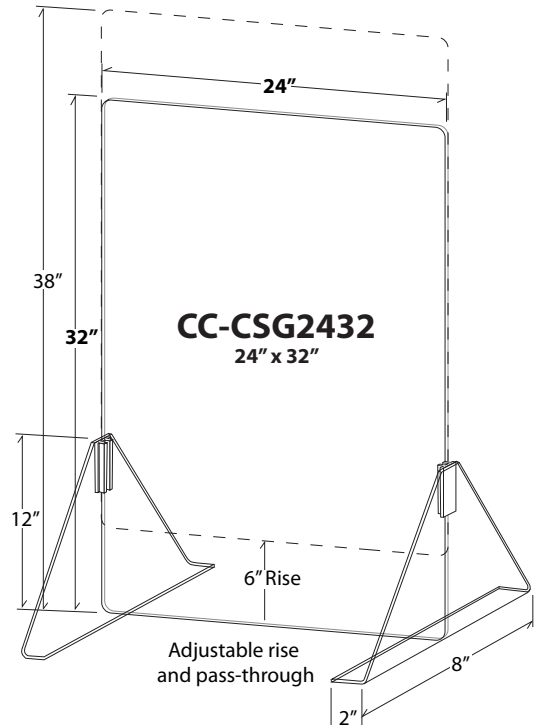
Rise



Volume	Cost/Kit (ea.)	MAC 15% Promotion
2 (min.)	\$70.00	\$59.50
10	\$65.00	\$55.25
50	\$60.00	\$51.00
100	\$55.00	\$46.75
500	Call	Call

Promotional pricing only good through 6/30/20

Kit: 1 panel, 2 legs w/3" grippers, rubber pads or 2-sided adhesive (both included), 1-3" top joiner clip, connector. Packed 2 kits/box



For more information and ordering
Contact us: 800-992-5233 • hq@tmshea.com



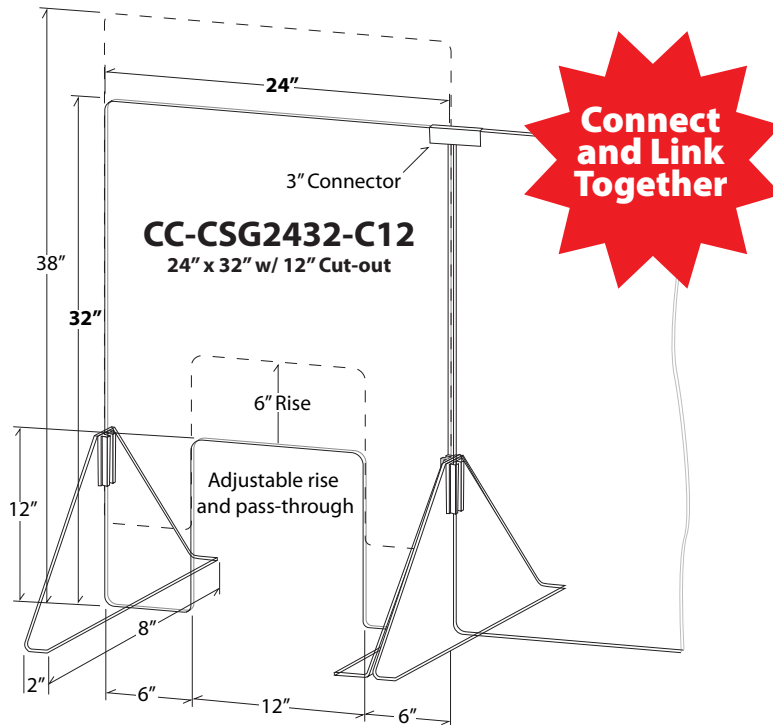


Made in Michigan

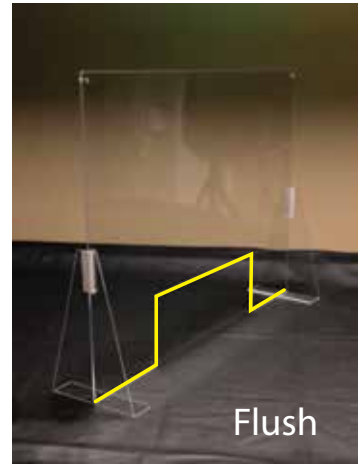


Countertop Sneeze Guards w/Cut Outs

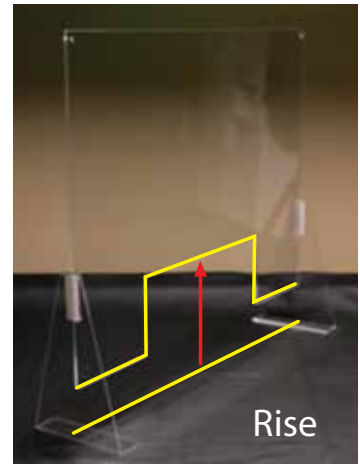
Durable 1/8" acrylic plastic



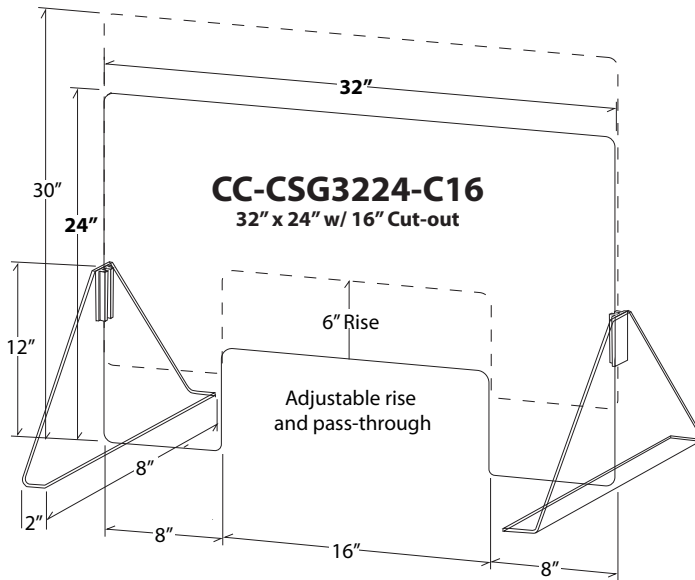
Connect and Link Together



Flush



Rise



Volume	Cost/Kit (ea.)	MAC 15% Promotion
2 (min.)	\$70.00	\$59.50
10	\$65.00	\$55.25
50	\$60.00	\$51.00
100	\$55.00	\$46.75
500	Call	Call

Promotional pricing only good through 6/30/20

Kit: 1 panel, 2 legs w/3" grippers, rubber pads or 2-sided adhesive (both included), 1-3" top joiner clip, connector. Packed 2 kits/box



For more information and ordering
Contact us: 800-992-5233 • hq@tmshea.com

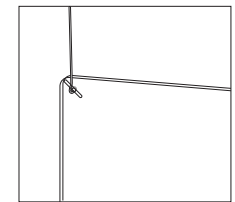
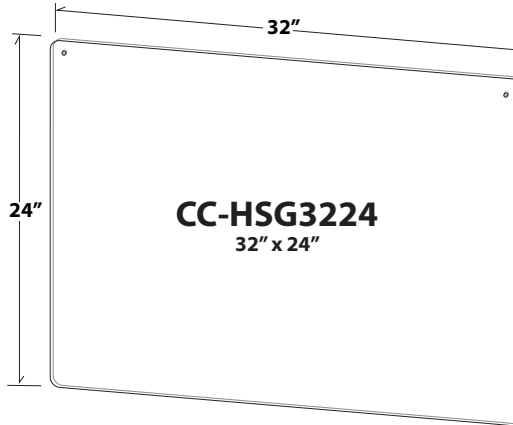
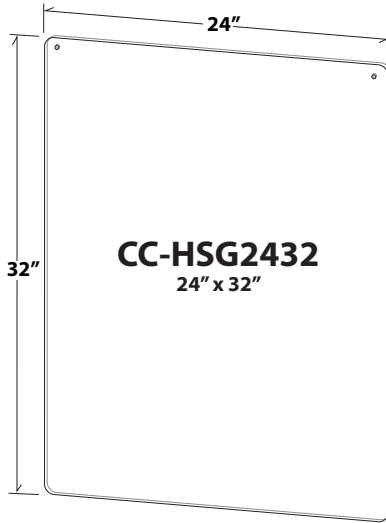




Drop Ceiling Hanging Sneeze Guards

Durable 1/8" acrylic plastic

Ceiling grid twist lock hanging kit. Adjustable up to 8-ft.

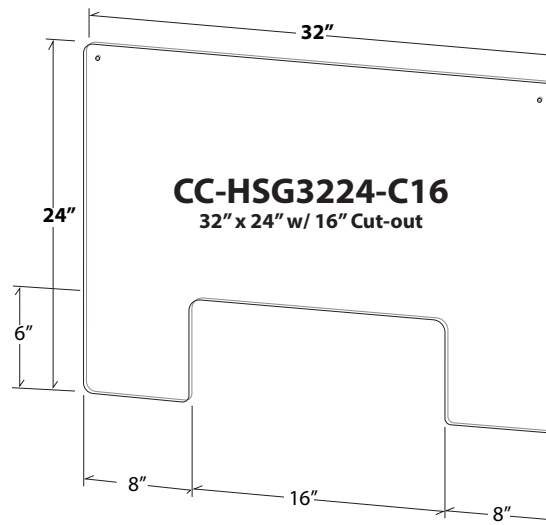
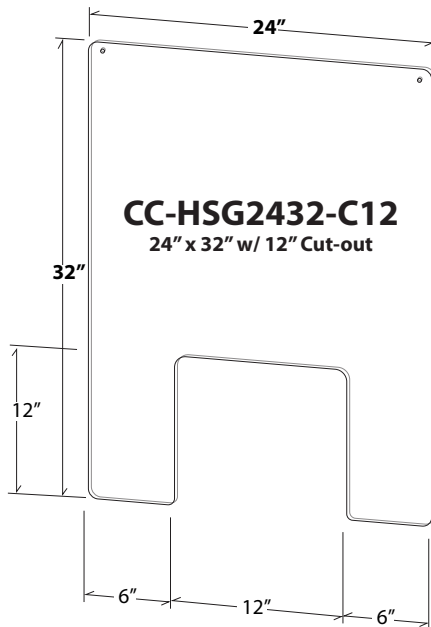


Volume	Cost/Kit (ea.)	MAC 15% Promotion
2 (min.)	\$55.00	\$46.75
10	\$50.00	\$42.50
50	\$45.00	\$38.35
100	\$40.00	\$34.00
500	Call	Call

Easy installation. Wire and barb loop through the hole twice and locks in place.

Promotional pricing only good through 6/30/20

1 panel, up to 8 ft. hanging kit (2 included)





CoronaCare™

Staff/Patient Safety Shield Order Form



Promotional pricing only good through 6/30/20

Date _____ P.O.# _____ MDA Member # _____

Bill to: Company Name: _____ Ship to: Company Name: _____

Address: _____ Address: _____

City: _____ City: _____

State: _____ Zip: _____ State: _____ Zip: _____

Phone: _____ Attention: _____

Ordered by: _____

E-mail: _____

Product Code	Dimensions (w x h)	Description	Quantity	Cost	Ext.
CC-CSG2424	24" x 24"	Countertop Sneeze Guards	_____	_____	_____
CC-CSG3224	32" x 24"	Countertop Sneeze Guards	_____	_____	_____
CC-CSG2432	24" x 32"	Countertop Sneeze Guards	_____	_____	_____
CC-CSG2432-C12	24" x 32" w/ 12" Cut-out	Countertop Sneeze Guards w/ Cut-Out	_____	_____	_____
CC-CSG3224-C16	32" x 24" w/ 16" Cut-out	Countertop Sneeze Guards w/ Cut-Out	_____	_____	_____
CC-HSG2432	24" x 32"	Drop Ceiling Hanging Sneeze Guards	_____	_____	_____
CC-HSG3224	32" x 24"	Drop Ceiling Hanging Sneeze Guards	_____	_____	_____
CC-HSG2432-C12	24" x 32" w/ 12" Cut-out	Drop Ceiling Hanging Sneeze Guards w/Cut-Out	_____	_____	_____
CC-HSG3224-C16	32" x 24" w/ 16" Cut-out	Drop Ceiling Hanging Sneeze Guards w/Cut-Out	_____	_____	_____
CC-SFS	N/A	Standard Face Shield	_____	_____	_____
CC-DFS	N/A	Deluxe Face Shield	_____	_____	_____
CC-PFS	N/A	Premium Face Shield	_____	_____	_____

Comments _____ Subtotal _____

_____ MI sales tax 6% (if applicable) _____

_____ Total _____

\$100 minimum order required, or a 10% service fee will apply. We accept Visa, MasterCard, American Express, and check. Extended payment terms are net 30 days with approved credit. Freight is FOB Troy MI. Orders over \$500 are shipped prepaid. Most orders can ship within 2-5 business days subject to inventory availability.

Satisfaction Guaranteed: If for any reason within seven days of receiving the order, you are not completely satisfied with this product, please contact us for a return authorization #. Refund will be issued upon return receipt, less a 15% restocking fee.



To Order Call: **800-992-5233**
Email orders to: **HQ@tmshea.com**

1950 Austin Drive • Troy, Michigan 48083
248-589-3272 • Fax 248-589-1535
Email: hq@tmshea.com • www.tmshea.com



CoronaCare™

Social Distancing/Assurance Signage



CC-SOA
Outdoor Assurance
Strict Protocol Sign
Ground Sign w/ Stakes

CC-SSD
Please Wear a Mask
Door Sticker
2-Sided Cling Sign

CC-SSDF
Be Smart Stay Apart
Floor/Door/Wall Sticker
Durable & repositionable

CC-SPWH
Please Wait Here
Floor Sticker
Durable & repositionable

CC-SBSA
Be Smart Stay Apart
Apparel Sticker
Clothing-friendly



Outdoor signage placement

- Close to the front door
- By the parking lot entrances
- shopping mall entrance
- Street corner

CC-SOA
24" x 32"



Entrance view



Exit view

CC-SSD 12" circle



CC-SSDF 16" circle



CC-SPWH 16" circle



CC-SBSA 4" circle



Also available in blue

Pricing (ea.) and Terms Promotional pricing only good through 6/30/20

Volume	CC-SOA Outdoor Assurance Strict Protocol Sign	MAC 15% Promotion	CC-SSD Please Wear a Mask Door Sticker	MAC 15% Promotion	CC-SSDF Be Smart Stay Apart Floor/Wall Sticker	MAC 15% Promotion	CC-SPWH Please Wait Here Floor Sticker	MAC 15% Promotion	(25 min.) CC-SBSA Be Smart Stay Apart Apparel Sticker	MAC 15% Promotion
2 (min.)	\$95.00	\$80.75	\$12.00	\$10.20	\$12.00	\$10.20	\$12.00	\$10.20	\$0.70	\$0.60
10	\$80.00	\$68.00	\$9.00	\$7.65	\$9.00	\$7.65	\$9.00	\$7.65	\$0.70	\$0.60
50	\$75.00	\$63.75	\$6.50	\$5.53	\$7.50	\$6.38	\$7.50	\$6.38	\$0.65	\$0.55
100	\$65.00	\$55.25	\$6.00	\$5.10	\$7.00	\$5.95	\$7.00	\$5.95	\$0.60	\$0.51

\$100 minimum order required, or a 10% service fee will apply. We accept Visa, MasterCard, American Express, and check. Extended payment terms are net 30 days with approved credit. Freight is FOB Troy MI. Orders over \$500 are shipped prepaid to one location in the continental US. Most orders can ship within 2-5 business days subject to inventory availability.

Satisfaction Guaranteed: If for any reason within seven days of receiving the order, you are not completely satisfied with this product, please contact us for a return authorization #. Refund will be issued upon return receipt, less a 15% restocking fee.

For more information and ordering Contact us: 800-992-5233 • hq@tmshea.com



1950 Austin Drive • Troy, Michigan 48083
800-992-5233 • 248-589-3272 • Fax 248-589-1535
Email: hq@tmshea.com • www.tmshea.com

Patents Pending. Intellectual Property of T.M. Shea Products. All rights reserved. © 2020

Warning: The material on these pages are proprietary and shall remain exclusive intellectual property of T.M. Shea Products, Inc. Under no circumstances are any P.O.P. display producers, suppliers, designers, brokers, or employees of such a trade company permitted to utilize this material in any way, shape, or form without the expressed written consent of T.M. Shea Products. Violators will be prosecuted to the fullest extent of the law.



CoronaCare™

Social Distancing/Assurance Signage



Pricing (ea.) and Terms Promotional pricing only good through 6/30/20

Volume	CC-SOA Outdoor Assurance Strict Protocol Sign	MAC 15% Promotion	CC-SSD Please Wear a Mask Door Sticker	MAC 15% Promotion	CC-SSDF Be Smart Stay Apart Floor/Wall Sticker	MAC 15% Promotion	CC-SPWH Please Wait Here Floor Sticker	MAC 15% Promotion	(25 min.) CC-SBSA Be Smart Stay Apart Apparel Sticker	MAC 15% Promotion
2 (min.)	\$95.00	\$80.75	\$12.00	\$10.20	\$12.00	\$10.20	\$12.00	\$10.20	\$7.00	\$6.00
10	\$80.00	\$68.00	\$9.00	\$7.65	\$9.00	\$7.65	\$9.00	\$7.65	\$7.00	\$6.00
50	\$75.00	\$63.75	\$6.50	\$5.53	\$7.50	\$6.38	\$7.50	\$6.38	\$6.50	\$5.53
100	\$65.00	\$55.25	\$6.00	\$5.10	\$7.00	\$5.95	\$7.00	\$5.95	\$6.00	\$5.10

Date _____ P.O.# _____ MAC Member # _____

Bill to: Company Name: _____
 Address: _____
 City: _____
 State: _____ Zip: _____
 Phone: _____
 Ordered by: _____
 E-mail: _____

Ship to: Company Name: _____
 Address: _____
 City: _____
 State: _____ Zip: _____
 Attention: _____

Product Code	Dimensions (w x h)	Description	Quantity	Cost	Ext.
CC-SOA	24" x 32"	Outdoor Assurance Strict Protocol Sign - Red	_____	_____	_____
CC-SSD	12" circle	Please Wear a Mask Door Sticker - Red	_____	_____	_____
CC-SSDF	16" circle	Be Smart Stay Apart Floor/Wall Sticker - Red	_____	_____	_____
CC-SPWH	16" circle	Please Wait Here Floor Sticker - Red	_____	_____	_____
CC-SBSA	4" circle	Be Smart Stay Apart Apparel Sticker - Red	_____	_____	_____
CC-SOA-B	24" x 32"	Outdoor Assurance Strict Protocol Sign - Blue	_____	_____	_____
CC-SSD-B	12" circle	Please Wear a Mask Door Sticker - Blue	_____	_____	_____
CC-SSDF-B	16" circle	Be Smart Stay Apart Floor/Wall Sticker - Blue	_____	_____	_____
CC-SPWH-B	16" circle	Please Wait Here Floor Sticker - Blue	_____	_____	_____
CC-SBSA-B	4" circle	Be Smart Stay Apart Apparel Sticker - Blue	_____	_____	_____

Comments _____

Subtotal _____
 MI sales tax 6% (if applicable) _____
 Total _____

\$100 minimum order required, or a 10% service fee will apply. We accept Visa, MasterCard, American Express, and check. Extended payment terms are net 30 days with approved credit. Freight is FOB Troy MI. Orders over \$500 are shipped prepaid to one location in the continental US. Most orders can ship within 2-5 business days subject to inventory availability.

Satisfaction Guaranteed: If for any reason within seven days of receiving the order, you are not completely satisfied with this product, please contact us for a return authorization #. Refund will be issued upon return receipt, less a 15% restocking fee.



To Order Call: **800-992-5233**
 Email orders to: **HQ@tmshea.com**

1950 Austin Drive • Troy, Michigan 48083
 248-589-3272 • Fax 248-589-1535
 Email: hq@tmshea.com • www.tmshea.com